

EDiA EM

THE MOST INTELLIGENT... THE MOST AGILE

Meet the EDiA EM. It's the most intelligent truck on the market and one of the most durable. Packed with features, it delivers the manoeuvrability, power and reliability you expect from a Mitsubishi.



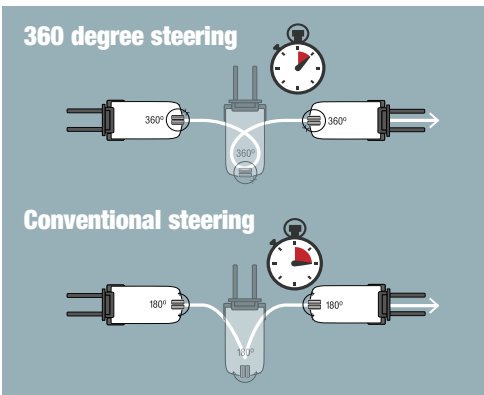
FB14ANT
FB16ACNT
FB18ACNT
FB16ANT
FB18ANT
FB20ANT

FB16ACN
FB18ACN
FB16AN
FB18AN
FB20AN

SPEC SHEET

Electric-powered forklift trucks

1.4 – 2.0 tonnes



Continuing improvement may lead to changes in these specifications

EDiA EM

Mitsubishi FB14-20A(C)N(T) Series

Electric-powered forklift trucks

1.4 – 2.0 tonnes

Designed and engineered to perform, these 48-volt three and four-wheel electrics work intuitively, tailoring their performance to your individual operator.

EDiA EM's sophisticated software analyses behaviour in real-time and automatically adjusts the truck's behaviour for safe-but-productive performance.

OPERATOR COMPARTMENT AND CONTROLS

- **Large, ultra-comfortable operating space** has been enhanced to meet the needs of drivers of all shapes and sizes for fatigue-free operation.
- **Spacious footwell** accommodates size 50+ (EU) shoes ensuring – whatever their size – operators enjoy a natural, ergonomic foot position.
- **Extra-large and low entry step** with offers good grip, ensuring safe, no-slip entry and exit – whatever the footwear.
- **Unparalleled 360° visibility** thanks to optimised mast, wheel, dashboard and counterweight design, maximises visibility to load, forks, front and rear wheels for safe, confident operation in tight spaces.
- **Optimised pedal positioning** encourages a more natural foot position for drivers of all sizes – short and tall included – to keep fatigue at bay.

- **Clear informative full-colour display** is easy to read from any angle (even direct sunlight). It's perfectly positioned for operator reference and doesn't reduce the truck's all-round visibility.
- **Touch-sensitive fingertip controls** are spring-loaded for a natural feeling; the gentler the touch, the finer the control.

FRAME AND BODY

- **High visibility design** offers minimal 'death angle' for improved safety, while eliminating unnecessary driver movements to keep drivers fresh.
- **Fast-access battery compartment** offers easy opening for maximum ventilation during charging and quick battery checks and maintenance.

MAST AND FORK ASSEMBLY

- **Passive Sway Control** dampens any elevated load motion above 3.5 m by compensating with micro chassis movements.

DRIVE

- **High-efficiency motors** offer a high RPM range for precise control when accelerating.
- **Sensitive Drive System (SDS)** smooths start and stop movements, increases agility and adapts to the speed of operators' foot movements.
- **Intelligent curve control** senses the angle of a turn and responds – automatically reducing speed early in the manoeuvre – ensuring maximum stability and accurate, positive cornering.

- **>100° steering axle** with dual-drive motors offers smooth 'on the spot' turning, with no initial 'push'.

BRAKES

- **Electronic magnetic brakes** don't rely on brake pads – eliminating associated maintenance and the risk of brake dust and contamination.
- **Automatic parking brake with hill hold** stops the truck automatically when the accelerator is not engaged, and prevents rolling on ramps - no remembering to use a handle or switch.

HYDRAULICS

- **Load-sensing hydraulic system** automatically adjusts truck's performance when handling loads at heights above 2.0 m – for consistently safe and efficient operations, standard for masts from 3.5m.

STEERING SYSTEM

- **Optimised steering** automatically adjusts power to steering for consistently smooth operations – regardless of speed or work intensity – for maximum control, comfort and safety.
- **Time-saving 360° steering on 3-wheel models** means the operator keeps the truck in constant motion – saving seconds on every turn.



There is more information on EDiA EM on mitforklift.com

For more extensive information on this range please visit our website mitforklift.com



mft2.eu/edia

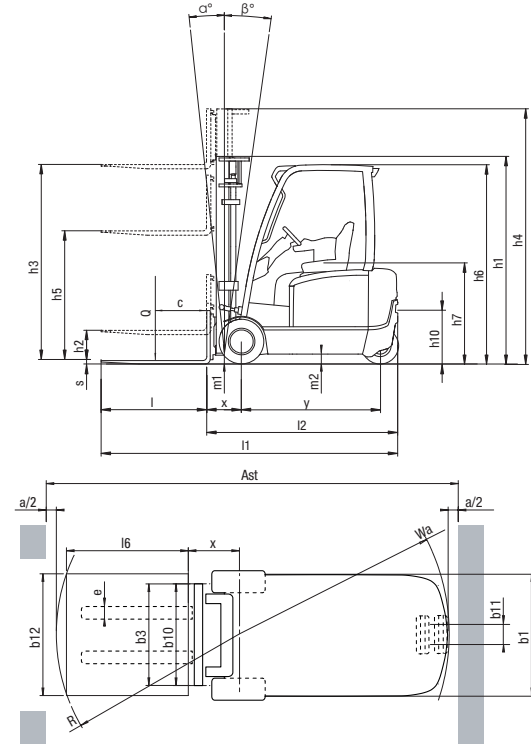
Characteristics		
1.1	Manufacturer (abbreviation)	
1.2	Manufacturer's model designation	
1.3	Power source: (battery, diesel, LP gas, petrol)	
1.4	Operator type: pedestrian, (operator)-standing, -seated	
1.5	Load capacity	Q kg
1.6	Load center distance	c mm
1.8	Load distance, axle to fork face	x mm
1.9	Wheelbase	y mm
Weight		
2.1	Truck weight, without load / including battery (simplex mast, lowest lift height)	kg
2.2	Axle loading with maximum load, front / rear (simplex mast, lowest lift height)	kg
2.3	Axle loading without load, front / rear (simplex mast, lowest lift height)	kg
Wheels, Drive Train		
3.1	Tyres: V=solid, L=pneumatic, SE=solid pneumatic - front / rear	
3.2	Tyre dimensions, front	
3.3	Tyre dimensions, rear	
3.5	Number of wheels, front / rear (x=driven)	
3.6	Truck width (center of tyres), front	b10 mm
3.7	Truck width (center of tyres), rear	b11 mm
Dimensions		
4.1	Mast tilt, forwards / backwards	α/β °
4.2	Height with mast lowered (see tables)	h1 mm
4.3	Free lift (see tables)	h2 mm
4.4	Lift height (see tables)	h3 mm
4.5	Overall height with mast raised	h4 mm
4.7	Height to top of overhead guard	h6 mm
4.8	Seat height	h7 mm
4.12	Tow coupling height	h10 mm
4.19	Overall length	l1 mm
4.20	Length to fork face (includes fork thickness)	l2 mm
4.21	Overall width	b1/b2 mm
4.22	Fork dimensions (thickness, width, length)	s/e/l mm
4.23	Fork carriage to DIN 15 173 A/B/no	
4.24	Fork carriage width	b3 mm
4.31	Ground clearance under mast, with load	m1 mm
4.32	Ground clearance at center of wheelbase, with load (forks lowered)	m2 mm
4.33	Working aisle width with 1000 x 1200 mm pallets, crosswise	Ast mm
4.34a	Working aisle width with 800 x 1200 mm pallets, lengthwise	Ast mm
4.35	Turning circle radius	Wa mm
4.36	Minimum distance between centers of rotation	b13 mm
Performance		
5.1	Travel speed, with / without load	km/h
5.2	Lifting speed, with / without load	m/s
5.3	Lowering speed, with / without load	m/s
5.5	Rated drawbar pull, with / without load	N
5.6	Maximum drawbar pull, with / without load (5 min short duty)	N
5.7	Gradeability, with / without load	%
5.8	Maximum gradeability, with / without load	%
5.9	Acceleration time (10 metres) with / without load	s
5.10	Service brakes (mechanical / hydraulic / electric / pneumatic)	
Electric motors		
6.1	Drive motor capacity (60 min. short duty)	kW
6.2	Lift motor output at 15% duty factor	kW
6.3	Battery to DIN 43 531 / 35 / 36 A/B/C/no	
6.4	Battery voltage/capacity at 5-hour discharge	V/Ah
6.5	Battery weight	kg
6.6a	Energy consumption according to EN 16796	kWh/h
Miscellaneous		
8.1	Type of drive control	
8.2	Maximum operating pressure for attachments	bar
8.3	Oil flow for attachments	l/min
8.4	Noise level, value at operator's ear (EN 12053)	dB(A)
8.5	Towing coupling design / DIN type, ref.	

Mitsubishi	Mitsubishi	Mitsubishi	Mitsubishi	Mitsubishi	Mitsubishi
FB14ANT	FB16ACNT	FB18ACNT	FB16ANT	FB18ANT	FB20ANT
Electric	Electric	Electric	Electric	Electric	Electric
Seated	Seated	Seated	Seated	Seated	Seated
1400	1600	1800	1600	1800	2000
500	500	500	500	500	500
343	343	343	343	343	358
1320	1320	1320	1428	1428	1428
2790	2966	3156	2949	3119	3342
3688 / 502	4015 / 551	4351 / 605	4020 / 529	4333 / 586	4711 / 631
1394 / 1396	1393 / 1573	1401 / 1754	1476 / 1474	1471 / 1649	1509 / 1833
SE	SE	SE	SE	SE	SE
18 x 7-8	18 x 7-8	18 x 7-8	18 x 7-8	18 x 7-8	200 / 50-10
140 / 55-9	140 / 55-9	140 / 55-9	140 / 55-9	140 / 55-9	140 / 55-9
2 x / 2	2 x / 2	2 x / 2	2 x / 2	2 x / 2	2 x / 2
930	930	930	930	930	938
174	174	174	174	174	174
5 / 7.5	5 / 7.5	5 / 7.5	5 / 7.5	5 / 7.5	5 / 7.5
2125	2125	2125	2125	2125	2125
80	80	80	80	80	80
3290	3290	3290	3290	3290	3290
4335	4335	4335	4335	4335	4335
2050	2050	2050	2050	2050	2050
1035	1035	1035	1035	1035	1035
540	540	540	540	540	540
2996	2996	2996	3104	3104	3119
1846	1846	1846	1954	1954	1969
1090	1090	1090	1090	1090	1140
35 x 100 x 1150	35 x 100 x 1150	35 x 100 x 1150	35 x 100 x 1150	35 x 100 x 1150	35 x 100 x 1150
2A	2A	2A	2A	2A	2A
920	920	920	920	920	920
95	95	95	95	95	95
95	95	95	95	95	95
3173	3173	3173	3281	3281	3295
3296	3296	3296	3404	3404	3419
1502	1502	1502	1610	1610	1610
0	0	0	0	0	0
16 / 16	16 / 16	16 / 16	16 / 16	16 / 16	16 / 16
0.55 / 0.62	0.52 / 0.62	0.46 / 0.62	0.52 / 0.62	0.46 / 0.62	0.62 / 0.42
0.56 / 0.56	0.56 / 0.56	0.56 / 0.56	0.56 / 0.56	0.56 / 0.56	0.56 / 0.56
4900 / 5200	4900 / 5200	4800 / 5100	4900 / 5200	4800 / 5100	4700 / 5100
15000 / 15300	14900 / 15200	14900 / 15200	14900 / 15200	14900 / 15200	14800 / 15200
16 / 26	15 / 25	13 / 23	15 / 25	13 / 23	12 / 21
27 / 35	27 / 35	26 / 35	27 / 35	26 / 35	24 / 35
4.0 / 3.8	4.1 / 3.8	4.2 / 3.8	4.1 / 3.8	4.2 / 3.8	4.3 / 3.9
electric	electric	electric	electric	electric	electric
2 x 5.5	2 x 5.5	2 x 5.5	2 x 5.5	2 x 5.5	2 x 5.5
10	10	10	10	10	10
DIN 43531 A/no	DIN 43531 A/no	DIN 43531 A/no	DIN 43531 A/no	DIN 43531 A/no	DIN 43531 A/no
500-625	500-625	500-625	625-750	625-750	625-750
679	679	679	812	812	812
3.7	3.9	4.2	3.9	4.2	4.5
AC	AC	AC	AC	AC	AC
210	210	210	210	210	210
30	30	30	30	30	30
65	65	65	65	65	65
DIN15170-H	DIN15170-H	DIN15170-H	DIN15170-H	DIN15170-H	DIN15170-H

EDIA EM

Mitsubishi FB14-20A(C)NT Series
Electric-powered forklift trucks
3 wheel models

1.4 – 2.0 tonnes



Ast = Wa + R + a
Ast = Working aisle width
Wa = Turning radius
a = Safety clearance = 2 x 100 mm
R = $\sqrt{(l6 + x)^2 + (b12 / 2)^2}$
l6 = Pallet length (800 or 1000 mm)
b12 = Pallet width (1200 mm)

Continuing improvement may lead to changes in these specifications

VDI - PERFORMANCE & DIMENSIONS
3 WHEEL MODELS



Characteristics		
1.1	Manufacturer (abbreviation)	
1.2	Manufacturer's model designation	
1.3	Power source: (battery, diesel, LP gas, petrol)	
1.4	Operator type: pedestrian, (operator)-standing, -seated	
1.5	Load capacity	Q kg
1.6	Load center distance	c mm
1.8	Load distance, axle to fork face	x mm
1.9	Wheelbase	y mm
Weight		
2.1	Truck weight, without load / including battery (simplex mast, lowest lift height)	kg
2.2	Axle loading with maximum load, front / rear (simplex mast, lowest lift height)	kg
2.3	Axle loading without load, front / rear (simplex mast, lowest lift height)	kg
Wheels, Drive Train		
3.1	Tyres: V=solid, L=pneumatic, SE=solid pneumatic - front / rear	
3.2	Tyre dimensions, front	
3.3	Tyre dimensions, rear	
3.5	Number of wheels, front / rear (x=driven)	
3.6	Truck width (center of tyres), front	b10 mm
3.7	Truck width (center of tyres), rear	b11 mm
Dimensions		
4.1	Mast tilt, forwards / backwards	α/β °
4.2	Height with mast lowered (see tables)	h1 mm
4.3	Free lift (see tables)	h2 mm
4.4	Lift height (see tables)	h3 mm
4.5	Overall height with mast raised	h4 mm
4.7	Height to top of overhead guard	h6 mm
4.8	Seat height	h7 mm
4.12	Tow coupling height	h10 mm
4.19	Overall length	l1 mm
4.20	Length to fork face (includes fork thickness)	l2 mm
4.21	Overall width	b1/b2 mm
4.22	Fork dimensions (thickness, width, length)	s/e/l mm
4.23	Fork carriage to DIN 15 173 A/B/no	
4.24	Fork carriage width	b3 mm
4.31	Ground clearance under mast, with load	m1 mm
4.32	Ground clearance at center of wheelbase, with load (forks lowered)	m2 mm
4.33	Working aisle width with 1000 x 1200 mm pallets, crosswise	Ast mm
4.34a	Working aisle width with 800 x 1200 mm pallets, lengthwise	Ast mm
4.35	Turning circle radius	Wa mm
4.36	Minimum distance between centers of rotation	b13 mm
Performance		
5.1	Travel speed, with / without load	km/h
5.2	Lifting speed, with / without load	m/s
5.3	Lowering speed, with / without load	m/s
5.5	Rated drawbar pull, with / without load	N
5.6	Maximum drawbar pull, with / without load (5 min short duty)	N
5.7	Gradeability, with / without load	%
5.8	Maximum gradeability, with / without load	%
5.9	Acceleration time (10 metres) with / without load	s
5.10	Service brakes (mechanical / hydraulic / electric / pneumatic)	
Electric motors		
6.1	Drive motor capacity (60 min. short duty)	kW
6.2	Lift motor output at 15% duty factor	kW
6.3	Battery to DIN 43 531 / 35 / 36 A/B/C/no	
6.4	Battery voltage/capacity at 5-hour discharge	V/Ah
6.5	Battery weight	kg
6.6a	Energy consumption according to EN 16796	kWh/h
Miscellaneous		
8.1	Type of drive control	
8.2	Maximum operating pressure for attachments	bar
8.3	Oil flow for attachments	l/min
8.4	Noise level, value at operator's ear (EN 12053)	dB(A)
8.5	Towing coupling design / DIN type, ref.	

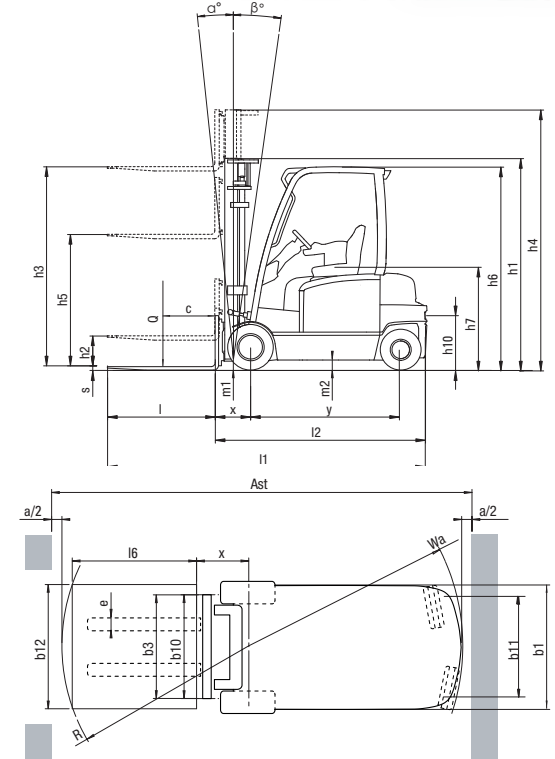
	Mitsubishi FB16ACN	Mitsubishi FB18ACN	Mitsubishi FB16AN	Mitsubishi FB18AN	Mitsubishi FB20AN
Electric	Electric	Electric	Electric	Electric	Electric
Seated	Seated	Seated	Seated	Seated	Seated
1600	1800	1600	1800	2000	
500	500	500	500	500	
343	343	343	343	358	
1394	1394	1502	1502	1502	
2944	3114	2957	3097	3287	
3990 / 554	4311 / 603	4008 / 550	4295 / 603	4668 / 620	
1422 / 1522	1422 / 1692	1510 / 1448	1484 / 1613	1525 / 1762	
SE	SE	SE	SE	SE	
18 x 7-8	18 x 7-8	18 x 7-8	18 x 7-8	200 / 50-10	
16 x 6-8	16 x 6-8	16 x 6-8	16 x 6-8	16x6-8	
2 x / 2	2 x / 2	2 x / 2	2 x / 2	2 x / 2	
930	930	930	930	938	
898	898	898	898	898	
5 / 7.5	5/7.5	5/7.5	5/7.5	5/7.5	
2125	2125	2125	2125	2125	
80	80	80	80	80	
3290	3290	3290	3290	3290	
4335	4335	4335	4335	4335	
2050	2050	2050	2050	2050	
1035	1035	1035	1035	1035	
520	520	520	520	520	
3152	3152	3260	3260	3275	
2002	2002	2110	2110	2125	
1090	1090	1090	1090	1140	
35 x 100 x 1150	35 x 100 x 1150	35 x 100 x 1150	35 x 100 x 1150	35 x 100 x 1150	
2A	2A	2A	2A	2A	
920	920	920	920	920	
95	95	95	95	95	
95	95	95	95	95	
3333	3333	3441	3441	3455	
3456	3456	3564	3564	3579	
1662	1662	1770	1770	1770	
0	0	0	0	0	
17 / 17	17 / 17	17 / 17	17 / 17	17 / 17	
0.52 / 0.62	0.46 / 0.62	0.52 / 0.62	0.46 / 0.62	0.62 / 0.42	
0.56 / 0.56	0.56 / 0.56	0.56 / 0.56	0.56 / 0.56	0.56 / 0.56	
4900 / 5200	4800 / 5100	4900 / 5200	4800 / 5100	4700 / 5100	
14900 / 15200	14900 / 15200	15000 / 15300	14900 / 15200	14800 / 15200	
15 / 25	14 / 23	15 / 26	14 / 23	12 / 21	
27 / 35	26 / 35	27 / 35	26 / 35	24 / 35	
4.1 / 3.8	4.2 / 3.8	4.0 / 3.8	4.2 / 3.8	3.9 / 4.4	
electric	electric	electric	electric	electric	
2 x 5.5	2 x 5.5	2 x 5.5	2x5.5	2x5.5	
10	10	10	10	10	
DIN 43531 A/no	DIN 43531 A/no	DIN 43531 A/no	DIN 43531 A/no	DIN 43531 A/no	
500-625	500-625	625-750	625-750	625-750	
679	679	679	812	812	
3.9	4.2	3.9	4.2	4.5	
AC	AC	AC	AC	AC	
210	210	210	210	210	
30	30	30	30	30	
65	65	65	65	65	
DIN15170-H	DIN15170-H	DIN15170-H	DIN15170-H	DIN15170-H	

EDIA EM

Mitsubishi FB16-20A(C)N Series
Electric-powered forklift trucks

4 wheel models

1.6 – 2.0 tonnes



- Ast = $Wa + x + l6 + a$
- Ast = Working aisle width
- Wa = Turning radius
- a = Safety clearance = 2 x 100 mm
- l6 = Pallet length (800 or 1000 mm)
- b12 = Pallet width (1200 mm)
- h1 = Height with mast lowered
- h2 = Standard free lift
- h3 = Lift height
- h4 = Height with mast raised
- h5 = Full free lift
- Q = Lifting capacity, rated load
- c = Load centre (distance)

Continuing improvement may lead to changes in these specifications

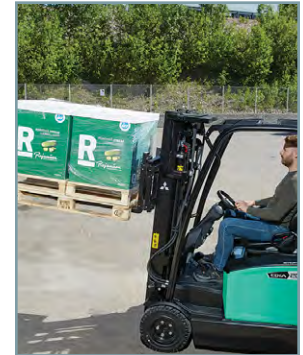
VDI - PERFORMANCE & DIMENSIONS
4 WHEEL MODELS



Mitsubishi FB14-20A(C)N(T) Series Electric-powered forklift trucks

FB14-20A(C)N(T)							FB14ANT	FB16ACNT	FB18ACNT	FB16ANT	FB18ANT	FB20ANT	FB16ACN	FB18ACN	FB16AN	FB18AN	FB20AN
Mast Type	h3 mm	h1 mm	h4 mm	h2 / h5 mm	tilt angle		Q@ c=500 mm kg	Q@ c=500 mm kg	Q@ c=500 mm kg	Q@ c=500 mm kg	Q@ c=500 mm kg	Q@ c=500 mm kg	Q@ c=500 mm kg	Q@ c=500 mm kg	Q@ c=500 mm kg	Q@ c=500 mm kg	Q@ c=500 mm kg
					fwd	rew											
Simplex	2000**	1480*	3045	80	5 / 6	N.A.	1400	1600	1800	1600	1800	2000	1600	1800	1600	1800	2000
	2560**	1760*	3605	80	5 / 6	5 / 5	1400	1600	1800	1600	1800	2000	1600	1800	1600	1800	2000
	2760**	1860*	3805	80	5 / 7.5	5 / 6	1400	1600	1800	1600	1800	2000	1600	1800	1600	1800	2000
	3000	1980*	4045	80	5 / 7.5	5 / 6	1400	1600	1800	1600	1800	2000	1600	1800	1600	1800	2000
	3290	2125	4335	80	5 / 7.5	5 / 7.5	1400	1600	1800	1600	1800	2000	1600	1800	1600	1800	2000
	3530**	2245	4575	80	5 / 7.5	5 / 7.5	1400	1600	1800	1600	1800	2000	1600	1800	1600	1800	2000
	3720	2385	4765	80	5 / 7.5	5 / 7.5	1400	1600	1800	1600	1800	2000	1600	1800	1600	1800	2000
	4090	2570	5135	80	5 / 7.5	5 / 7.5	1400	1600	1800	1600	1800	2000	1600	1800	1600	1800	2000
	4480	2775	5525	80	5 / 5	5 / 5	1350	1550	1750	1575	1775	2000	1600	1800	1600	1800	2000
	5000	3035	6045	80	5 / 5	5 / 5	1300	1475	1675	1525	1700	1925	1525	1725	1600	1775	1950
5500	3285	6545	80	5 / 3.5	5 / 3.5	1250	1425	1600	1475	1650	1850	1475	1650	1550	1725	1875	
6000	3535	7045	80	5 / 3.5	5 / 3.5	1200	1375	1450	1425	1500	1775	1225	1225	1500	1500	1825	
Duplex	2800	1880*	3845	835	5 / 6	5 / 6	1400	1600	1800	1600	1800	2000	1600	1800	1600	1800	2000
	3000	1980*	4045	935	5 / 6	5 / 6	1400	1600	1800	1600	1800	2000	1600	1800	1600	1800	2000
	3295	2125	4340	1080	5 / 6	5 / 6	1400	1600	1800	1600	1800	2000	1600	1800	1600	1800	2000
	3515**	2245	4560	1200	5 / 6	5 / 6	1400	1600	1800	1600	1800	2000	1600	1800	1600	1800	2000
	3700	2385	4745	1340	5 / 6	5 / 6	1400	1600	1800	1600	1800	2000	1600	1800	1600	1800	2000
	4030	2570	5075	1525	5 / 6	5 / 6	1350	1550	1750	1575	1775	2000	1600	1800	1600	1800	2000
Triplex	3710	1780*	4755	735	5 / 6	5 / 3.5	1400	1600	1800	1600	1800	2000	1600	1800	1600	1800	2000
	4010	1880*	5055	835	5 / 6	5 / 3.5	1400	1600	1800	1600	1800	2000	1600	1800	1600	1800	2000
	4310	1980*	5355	935	5 / 6	5 / 5	1350	1600	1750	1600	1800	2000	1600	1800	1600	1800	2000
	4750	2125	5795	1080	5 / 6	5 / 5	1300	1600	1700	1550	1800	2000	1600	1750	1600	1800	2000
	5090	2245	6135	1200	5 / 3.5	5 / 3.5	1275	1450	1650	1550	1750	1925	1550	1700	1600	1750	1925
	5490	2385	6535	1340	5 / 3.5	5 / 3.5	1225	1400	1650	1500	1700	1900	1500	1600	1550	1700	1900
	5990	2570	7035	1525	5 / 3.5	5 / 3.5	1175	1350	1600	1400	1600	1750	1400	1600	1450	1625	1800
	6490	2830	7535	1785	5 / 3.5	5 / 3.5	1125	1350	1350	1350	1400	1650	1350	1400	1400	1400	1600
7000	3035	8045	1990	5 / 3.5	5 / 3.5	1100	1100	1100	1100	1100	1350	1100	1100	1100	1100	1300	

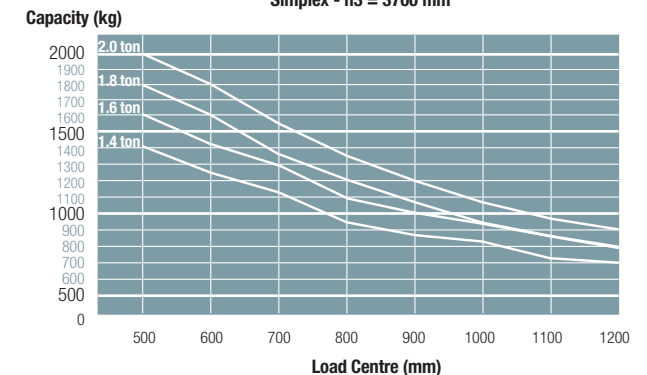
* Lower than overhead guard **CSM



Battery Dimensions		14ANT	16ACNT	18ACNT	16ANT	18ANT	20ANT	16ACN	18ACN	16AN	18AN	20AN
Battery voltage	V	48	48	48	48	48	48	48	48	48	48	48
Capacity at a 5-hour discharge	Ah	500 / 625	500 / 625	500 / 625	625 / 750	625 / 750	625 / 750	500 / 625	500 / 625	625 / 750	625 / 750	625 / 750
Battery weight, Min.	kg	679 / 812	679 / 812	679 / 812	812 / 900	812 / 900	812 / 900	679 / 812	679 / 812	812 / 900	812 / 900	812 / 900
Battery weight, Max.	kg	1000 / 1000	1000 / 1000	1000 / 1000	1160 / 1160	1160 / 1160	1160 / 1160	1000 / 1000	1000 / 1000	1160 / 1160	1160 / 1160	1160 / 1160
Battery box dimensions												
Length	mm	522	522	522	630	630	630	522	522	630	630	630
Width	mm	830 / 1006	830 / 1006	830 / 1006	830 / 1006	830 / 1006	830 / 1006	830 / 1006	830 / 1006	830 / 1006	830 / 1006	830 / 1006
Height	mm	627	627	627	627	627	627	627	627	627	627	627
Battery compartment size												
Length	mm	532	532	532	640	640	640	532	532	640	640	640
Width	mm	850 / 1018	850 / 1018	850 / 1018	850 / 1018	850 / 1018	850 / 1018	850 / 1018	850 / 1018	850 / 1018	850 / 1018	850 / 1018
Height	mm	690 (660*)	690 (660*)	690 (660*)	690 (660*)	690 (660*)	690 (660*)	690 (660*)	690 (660*)	690 (660*)	690 (660*)	690 (660*)

*With battery exchange rolls

Simplex - h3 = 3700 mm



MAST PERFORMANCE & CAPACITIES AT VARIOUS LOAD CENTRES BATTERY DIMENSIONS

Mitsubishi FB14-20A(C)N(T) Series

Electric-powered forklift trucks

1.4 – 2.0 tonnes

- Standard
- Option

	3 wheel models						4 wheel models				
	FB14ANT	FB16ACNT	FB18ACNT	FB16ANT	FB18ANT	FB20ANT	FB16ACN	FB18ACN	FB16AN	FB18AN	FB20AN
GENERAL											
3- and 4- Wheel chassis, 48 Volts, front wheel drive	●	●	●	●	●	●	●	●	●	●	●
Operator selectable economy or high performance modes ECO/PRO	●	●	●	●	●	●	●	●	●	●	●
Multifunctional colour display (Hour meter, BDI, ...)	●	●	●	●	●	●	●	●	●	●	●
Lift tilt interlock and hydraulic and drive interlock / PDS	●	●	●	●	●	●	●	●	●	●	●
Tilttable steering column	●	●	●	●	●	●	●	●	●	●	●
Full electrical brakes	●	●	●	●	●	●	●	●	●	●	●
Battery compartment side door and opening battery hood cover	●	●	●	●	●	●	●	●	●	●	●
SST (Seat Switch Timeout: all functions are disabled – truck enters 'stop mode' and park brake is automatically applied)	●	●	●	●	●	●	●	●	●	●	●
Basic overhead guard	●	●	●	●	●	●	●	●	●	●	●
Trucktool setup and diagnostics	●	●	●	●	●	●	●	●	●	●	●
Rapid sideway battery exchange chassis (SWE)	●	●	●	●	●	●	●	●	●	●	●
Chassis-integrated roller bed (FOR BATTERY SWE)	●	●	●	●	●	●	●	●	●	●	●
Special (RAL) colour for frame	●	●	●	●	●	●	●	●	●	●	●
HYDRAULIC											
3 valve hydraulic fingertip control mounted on adjustable armrest	●	●	●	●	●	●	●	●	●	●	●
4th & 5th hydraulic options	●	●	●	●	●	●	●	●	●	●	●
Manual lever hydraulic control	●	●	●	●	●	●	●	●	●	●	●
Hydraulic accumulator for smoother load handling on rough surfaces	●	●	●	●	●	●	●	●	●	●	●
MAST, FORKS AND CARRIAGE											
Load Backrest	●	●	●	●	●	●	●	●	●	●	●
Passive sway control for mast at high lifts	●	●	●	●	●	●	●	●	●	●	●
Simplex, Duplex or Triplex masts, from 3m to 7m	●	●	●	●	●	●	●	●	●	●	●
Forks 900mm - 2000mm	●	●	●	●	●	●	●	●	●	●	●
Sideshifter W920mm	●	●	●	●	●	●	●	●	●	●	●
Integrated Sideshifter W920mm	●	●	●	●	●	●	●	●	●	●	●
Integrated Fork Positioner with sideshift	●	●	●	●	●	●	●	●	●	●	●
Load weight indicator, in 50kg increments	●	●	●	●	●	●	●	●	●	●	●
Performance reduction from 2m to 3.5m mast (above standard)	●	●	●	●	●	●	●	●	●	●	●
DRIVE AND LIFT CONTROLS											
Variable speed control on all hydraulic functions	●	●	●	●	●	●	●	●	●	●	●
Curve control	●	●	●	●	●	●	●	●	●	●	●
Armrest direction control	●	●	●	●	●	●	●	●	●	●	●
Automatic tilt centering via the F2 button on fingertip controller	●	●	●	●	●	●	●	●	●	●	●
Tilt centering second function. Two pcs. of angle memories	●	●	●	●	●	●	●	●	●	●	●
Forward-reverse direction selection lever on steering column	●	●	●	●	●	●	●	●	●	●	●
Dual pedal system - forward and reverse	●	●	●	●	●	●	●	●	●	●	●
Operator presence pedal	●	●	●	●	●	●	●	●	●	●	●

Consult your distributor for more standard equipment and options.



Continuing improvement may lead to changes in these specifications

Mitsubishi FB14-20A(C)N(T) Series

Electric-powered forklift trucks

1.4 – 2.0 tonnes

- Standard
- Option

	3 wheel models						4 wheel models				
	FB14ANT	FB16ACNT	FB18ACNT	FB16ANT	FB18ANT	FB20ANT	FB16ACN	FB18ACN	FB16AN	FB18AN	FB20AN
ELECTRIC											
LED working lights, 2 front and 1 rear	●	●	●	●	●	●	●	●	●	●	●
Automated reversing light	●	●	●	●	●	●	●	●	●	●	●
Automatic light switch	●	●	●	●	●	●	●	●	●	●	●
Amber strobe light	●	●	●	●	●	●	●	●	●	●	●
Road light kit	●	●	●	●	●	●	●	●	●	●	●
Electronic back-up smart alarm	●	●	●	●	●	●	●	●	●	●	●
"Blue Point" safety light, located rear and/or front	●	●	●	●	●	●	●	●	●	●	●
Pin code access	●	●	●	●	●	●	●	●	●	●	●
5V USB connector output 2x 2.5A (max. 4.4A)	●	●	●	●	●	●	●	●	●	●	●
240W, 12V Power supply for accessories	●	●	●	●	●	●	●	●	●	●	●
OHG AND CABIN											
Grammer MSG65 vinyl with seat belt switch	●	●	●	●	●	●	●	●	●	●	●
Grammer MSG65 or MSG75 with options vinyl / cloth / heater / backrest extension / Armrest (MSG65)	●	●	●	●	●	●	●	●	●	●	●
Swivel seat	●	●	●	●	●	●	●	●	●	●	●
Plexi roof cover	●	●	●	●	●	●	●	●	●	●	●
Panel cabin: Front screen with wiper + roof with crane opening	●	●	●	●	●	●	●	●	●	●	●
Panel cabin: Economy. Front screen without wiper, plexi roof cover	●	●	●	●	●	●	●	●	●	●	●
Panel cabin steel doors	●	●	●	●	●	●	●	●	●	●	●
Panel cabin rear screen	●	●	●	●	●	●	●	●	●	●	●
PVC doors	●	●	●	●	●	●	●	●	●	●	●
Heater for cabin	●	●	●	●	●	●	●	●	●	●	●
Interior package, including radio with speakers, roof lining, reading light.	●	●	●	●	●	●	●	●	●	●	●
Deluxe cabin, including wind screen with wiper, roof, steel doors, heater and interior lining.	●	●	●	●	●	●	●	●	●	●	●
Rear view mirror, Basic / Outside / Wide view	●	●	●	●	●	●	●	●	●	●	●
List bracket - A4	●	●	●	●	●	●	●	●	●	●	●
Storage plastic locker	●	●	●	●	●	●	●	●	●	●	●
Sun visor	●	●	●	●	●	●	●	●	●	●	●
Accessory rack	●	●	●	●	●	●	●	●	●	●	●
RAM-Mounts dummy, D-series	●	●	●	●	●	●	●	●	●	●	●
RAM-Mounts computer rack, C-series	●	●	●	●	●	●	●	●	●	●	●
RAM-Mounts scanner rack, C-series	●	●	●	●	●	●	●	●	●	●	●
Powder fire extinguisher	●	●	●	●	●	●	●	●	●	●	●
Narrow Overhead guard for drive in racking	●	●	●	●	●	●	●	●	●	●	●
TYRES											
Solid pneumatic tyres	●	●	●	●	●	●	●	●	●	●	●
Solid non-marking tyres	●	●	●	●	●	●	●	●	●	●	●
ENVIRONMENT											
Hot area hydraulic oil, VG46	●	●	●	●	●	●	●	●	●	●	●
Cold area hydraulic oil, VG15	●	●	●	●	●	●	●	●	●	●	●
Hydraulic oil food grade	●	●	●	●	●	●	●	●	●	●	●
Bio grade oil	●	●	●	●	●	●	●	●	●	●	●
Cold store option, (to -35C)	●	●	●	●	●	●	●	●	●	●	●

Continuing improvement may lead to changes in these specifications

Consult your distributor for more standard equipment and options.



when
reliability is
everything...



EDiA



**THE ELECTRIC
DIAMOND**

The family name EDiA appears proudly on our award-winning range of electric forklift trucks.

The reputation that Mitsubishi Forklift Trucks enjoys for endurance and reliability has likened them to the quality and enduring value of a diamond.



Like any product bearing the Mitsubishi name, our materials handling equipment benefits from the tremendous heritage, huge resources and cutting-edge technology of one of the world's largest corporations – Mitsubishi Heavy Industries Group.

Engineering spacecraft, jet planes, power plants and more, MHI specialises in those technologies where performance, dependability and superiority decide your success or failure...

So when we promise you **quality, reliability** and **value for money**, you know it's a guarantee we have the power to deliver.

That's why every model in our award-winning and comprehensive range of lift trucks and warehouse equipment is built to a high specification – to ensure it keeps working for you. Day after day. Year after year. Whatever the job. Whatever the conditions.

YOU'LL NEVER WORK ALONE

As your local authorised dealer, we are here to keep your trucks working – through our extensive experience, our technical excellence and our commitment to customer care.

We are your local experts, backed by efficient channels to the entire Mitsubishi Forklift Trucks organisation.

No matter where you are, we are close by – with the capability to meet your needs.

Discover how Mitsubishi gives you more from your local authorised dealer or when you visit our website www.mitforklift.com

Performance specifications may vary depending on standard manufacturing tolerances, vehicle condition, types of tyres, floor or surface conditions, applications or operating environment. Trucks may be shown with non-standard options. Specific performance requirements and locally available configurations should be discussed with your distributor of Mitsubishi forklift trucks. Mitsubishi follows a policy of continual product improvement. For this reason, some materials, options and specifications could change without notice.

mitforklift@mcfe.nl

CESM1938 (11/18) © 2018 MCFE

