

# M25 Series

Hand Pallet Truck • 2.5 tonnes

M25M  
M25H  
M25I  
M25J  
M25W

## Low-cost pallet truck... High quality construction

Top quality doesn't need to come at a high price. Our low-cost hand pallet trucks give you everything you need to do the job – plus a whole lot more. Built to the standards you'd expect from a world-leading manufacturer, these hard-wearing trucks are engineered for maximum strength and durability. Low-maintenance features, such as the quick-fit steer wheel and self-lubricating components, reduce downtime. And, like every truck

bearing the Mitsubishi Forklift Trucks name, every hand pallet truck is supplied with the full parts backup you need to keep your truck (and your business) in action for the long-term.

Like every Mitsubishi model, we offer a wide range fork dimensions and specialist wheels – including tandem load and steer wheels - are available to suit your application.

### Frame and body

- **Strong chassis** gives operator confidence in any application.
- **Steel entry brackets** offer exceptional durability in all working conditions.
- **Low centre of gravity** adds further stability, for safer operation.
- **Compact design** combined with a 210-degree steering angle gives maximum manoeuvrability.



# M25 Series

## Hand Pallet Truck • 2.5 tonnes

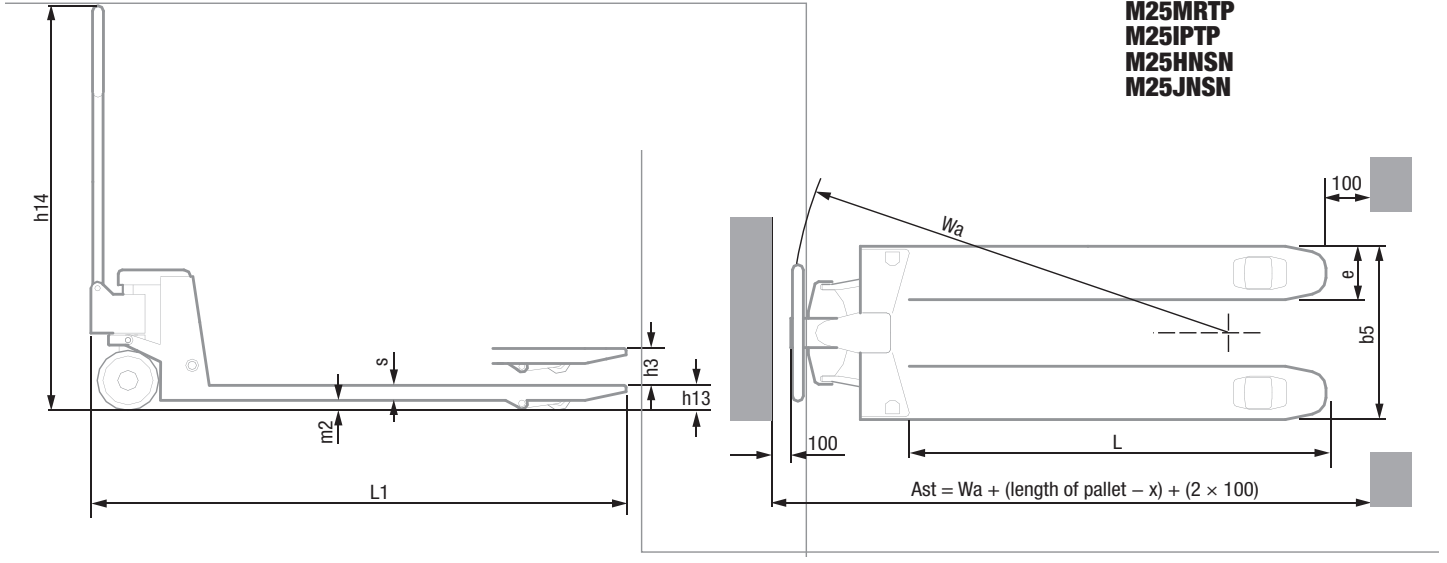
Characteristics							
1.1	Manufacturer (abbreviation)		Mitsubishi	Mitsubishi	Mitsubishi	Mitsubishi	Mitsubishi
1.2	Manufacturer's model designation		<b>M25M</b>	<b>M25H</b>	<b>M25I</b>	<b>M25J</b>	<b>M25W</b>
1.4	Operator type: pedestrian, (operator)-standing, -seated		Pedestrian	Pedestrian	Pedestrian	Pedestrian	Pedestrian
1.5	Load capacity	Q (kg)	2500	2500	2500	2500	2500
1.6	Load center distance	c (mm)	600	600	600	600	600
1.8	Load wheels axle to fork face (forks lowered)	x (mm)	883	883	733	953	733
1.9	Wheelbase	y (mm)	1190	1190	1040	1260	1040
Weight							
2.1	Truck weight without nominal load	kg	62,5	67,5	66,5	72,5	60
Wheels, frame							
3.1	Tyre type: P=Polyurethane, N=Nylon, R=Rubber		P,N,R	P,N,R	P,N,R	P,N,R	P,N,R
3.2	Tyre dimension, drive side	∅ (mm)	200	200	200	200	200
3.3	Tyre dimension, load side	∅ (mm)	80	80	80	80	80
3.5	Number of wheels, load / drive side tandem / single		1/2x1 - 1/2x2	1/2x1 - 1/2x2	1/2x1 - 1/2x2	1/2x1 - 1/2x2	1/2x1 - 1/2x2
3.6	Track width (center of tyres), drive side	b10 (mm)	109	109	109	109	109
3.7	Track width (center of tyres), load side	b11 (mm)	370	370	370	370	370
Dimensions							
4.4	Lift height	h3 (mm)	115	115	115	115	115
4.9	Height of tiller arm / steering console (min./max.)	h14 (mm)	1214	1214	1214	1214	1214
4.15	Fork height fully lowered	h13 (mm)	85	85	85	85	85
4.19	Overall length	l1 (mm)	1543	1543	1393	1613	1393
4.20	Length to fork face	l2 (mm)	393	393	393	393	393
4.21	Overall width	b1/b2 (mm)	520	685	685	685	520
4.22	Fork dimensions (thickness, width and length)	s / e / l (mm)	53/160/1150	53/160/1150	53/160/1000	53/160/1220	53/160/1000
4.25	Outside width over forks (minimum / maximum)	b5 (mm)	520	685	685	685	520
4.32	Ground clearance at centre of wheelbase (forks lowered)	m2 (mm)	32	32	32	32	32
4.33/b	Working aisle width (Ast3) with 1000 x1200 pallets, load crosswise	Ast3 (mm)	1743	1743	1683	1813	1683
4.34/b	Working aisle width (Ast3) with 800 x1200 pallets, load lengthwise	Ast3 (mm)	1793	1793	1783	1813	1783
4.35	Turning circle radius	Wa (mm)	1276	1276	1216	1346	1216

Model	Fork dimensions WxL (mm)	Load wheels	Drive wheel
M25WPTP	520 x 1000	4 Tandem, Polyurethane	Polyurethane
M25MNTN	520 x 1150	4 Tandem, Nylon	Nylon
M25MNSN		2 Single, Nylon	
M25MPSP		2 Single, Polyurethane	Polyurethane
M25MPTP		4 Tandem, Polyurethane	
M25MRTP		4 Tandem, Polyurethane	Rubber
M25IPTP		685 x 1000	4 Tandem, Polyurethane
M25HNSN	685 x 1150	2 Single, Nylon	Nylon
M25JNSN	685 x 1220	2 Single, Nylon	Nylon





- M25WPTP**
- M25MNTN**
- M25MNSN**
- M25MPSP**
- M25MPTP**
- M25MRTP**
- M25IPTP**
- M25HNSN**
- M25JNSN**





Controlled lowering valve



Smooth wheels



Effortless lift

### Forks

- **Mounted rollers on fork tips** allow effortless entry and exit to and from pallets.

### Hydraulics

- **Overload bypass valve** minimises damage from excess weight for long truck life.
- **Lowering valve** restricts the rate of descent, to prevent load damage.
- **Reliable leak-proof hydraulic system** reduces need for unplanned maintenance.

### Operator environment and controls

- **Ergonomic rubber handle** offers comfort, safety and high productivity.
- **Three-position lever** automatically returns to a neutral setting when not in use, to reduce operator fatigue.
- **Low ground clearance** (just 40mm) minimises risk of foot trapping.

### Other features

- **Easy-fit steering wheel** allows for quick replacement.
- **Effortless lift action** requires just 10 strokes to reach full height.

### Options

- **Ergonomic nylon and Polyurethane steering wheel**
- **Tandem load wheels**
- **Choice of drive and load wheels for different applications**
- **Wide variety of fork dimensions**



when **reliability** is everything...

Like any product bearing the Mitsubishi name, our materials handling equipment benefits from the huge resources and cutting-edge technology of one of the world's largest corporations. So when we promise you **quality, reliability** and **value for money**, you know it's a guarantee we have the power to deliver.

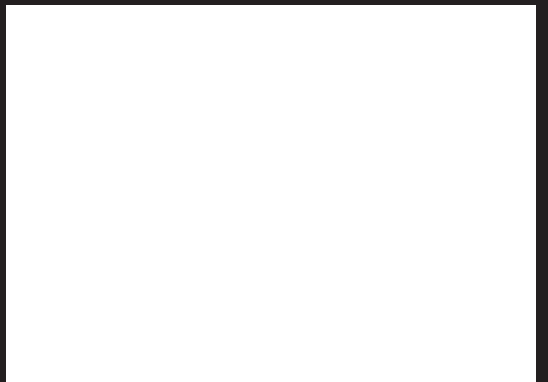
Every model in our comprehensive, award-winning range of forklift trucks and warehouse equipment is built to a high specification and is designed to keep on working for you... day after day... year after year... whatever the job... whatever the conditions.

To ensure your truck stays in constant productive action, we have a network of local dealers – hand-picked for their commitment to customer care... and backed up by the Mitsubishi Forklift Trucks organisation. No matter where you are, we have a dealer close by – ready and willing to meet your needs.

That friendly local service covers everything from identifying the perfect model and configuration for your application to providing competitive, flexible finance and maintenance packages, unbeatable warranties, long and short term hire, and highly responsive field service and repairs... as well as the industry's quickest and most reliable parts supply.

Only Mitsubishi can give you this combination of global engineering excellence and outstanding local support... only Mitsubishi offers you such a quality product at such an affordable price... and only Mitsubishi places reliability as high as you do in its priorities. Contact your local dealer now and see what Mitsubishi can do for you.

You can find your nearest dealer at [www.mitforklift.com](http://www.mitforklift.com)



WEGM1937 (11/18)  
© 2018 MCFE  
Printed in The Netherlands

[mitforklift@mcf.nl](mailto:mitforklift@mcf.nl) [www.mitforklift.com](http://www.mitforklift.com)

NOTE: Performance specifications may vary depending on standard manufacturing tolerances, vehicle condition, types of tyres, floor or surface conditions, applications or operating environment. Trucks may be shown with non-standard options. Specific performance requirements and locally available configurations should be discussed with your distributor of Mitsubishi forklift trucks. Mitsubishi follows a policy of continual product improvement. For this reason, some materials, options and specifications could change without notice.