

PBPL12

Electric Hand Pallet Truck • 1.2 tonnes

PBPL12WPTP
PBPL12IPTP
PBPL12MPTP
PBPL12HPTP
PBPL12KPTP
PBPL12JPTP

Simple yet effective... this electric hand pallet truck is an all-rounder.

The PBPL12 electric pedestrian pallet truck makes moving products efficient and convenient. In contrast to conventional hand pallet trucks, it lifts and moves goods using a 48V Lithium-Ion power source—making it perfect for short, and mid-distance runs. The PBPL12 is a user-friendly, multi-use solution for nearly any application.

Its compact design, low service weight, and small turning radius make the PBPL12 ideal for use in confined spaces such as retail stores, trailers, containers, and small warehouses.

The PBPL12 electric pedestrian pallet truck features electrical driving and lifting functions and a manual lowering function. The exchangeable, maintenance-free, high-capacity 48V Lithium-Ion battery provides six hours of productive use. The external charging dock, included with your truck allows you to charge an extra battery in only 3.5 hours while the truck is in use.



Frame and body

- **High quality, stable construction** gives a stable and durable platform.
- **Compact, lightweight, high-performing body design** provides exceptional maneuverability in tight areas.

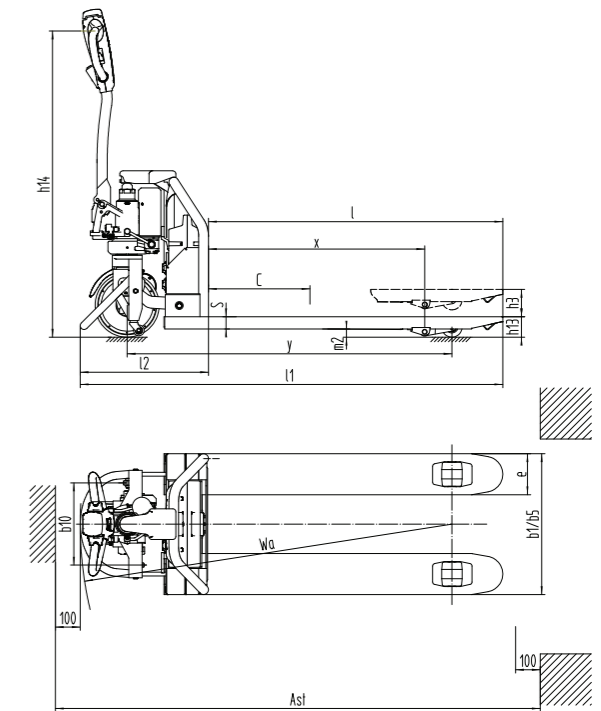
Drive

- **Maintenance free brushless (AC) wheel hub motor** with no wearable components like carbon brushes or contactors to replace over time offer long-lasting operation and low maintenance.
- **Patented low noise gearless hub motor design** allows tight integration into wheel hubs, thus eliminating the need for gears.

PBPL12

Hand Pallet Truck • 1.2 tonnes

Characteristics							
1.1	Manufacturer (abbreviation)		Mitsubishi	Mitsubishi	Mitsubishi	Mitsubishi	Mitsubishi
1.2	Manufacturer's model designation		PBPL12WPTP	PBPL12 IPTP	PBPL12 MPTP	PBPL12 HPTP	PBPL12 KPTP
1.3	Power source: (battery, diesel, LP gas, petrol)		battery	battery	battery	battery	battery
1.4	Operator type: pedestrian, operator standing, operator seated		pedestrian	pedestrian	pedestrian	pedestrian	pedestrian
1.5	Load capacity	Q (kg)	1200	1200	1200	1200	1200
1.6	Load center distance	c (mm)	600	600	600	600	600
1.8	Load wheels axle to fork face (forks lowered)	x (mm)	802	802	952	952	1022
1.9	Wheelbase	y (mm)	1119	1119	1269	1269	1339
Weight							
2.1	Truck weight without nominal load	kg	135	140	140	150	144
2.2	Axel load with nominal load & maximum battery weight, drive load/side	kg	450 / 885	450 / 890	450 / 890	460 / 890	454 / 890
2.3	Axel load without nominal load & with maximum battery weight, drive load / side	kg	110 / 25	115 / 25	110 / 30	120 / 30	110 / 34
Wheels, Drive Train							
3.1	Wheel type: P=Polyurethane, N=Nylon, R=Rubber		P	P	P	P	P
3.2	Wheel dimension, drive side	∅ (mm)	250	250	250	250	250
3.3	Wheel dimension, load side	∅ (mm)	80	80	80	80	80
3.5	Number of wheels, drive/load side (x=driven)		1x/4	1x/4	1x/4	1x/4	1x/4
Dimensions							
4.4	Lift height	h3 (mm)	110	110	110	110	110
4.9	Height of tiller arm / steering console (min. / max.)	h14 (mm)	635/1200	635 / 1200	635 / 1200	635 / 1200	635 / 1200
4.15	Fork height fully lowered	h13 (mm)	80	80	80	80	80
4.19	Overall length	l1 (mm)	1501	1501	1651	1651	1721
4.20	Length to fork face	l2 (mm)	501	501	501	501	501
4.21	Overall width	b1/b2 (mm)	550	680	550	680	680
4.22	Fork dimensions (thickness, width and length)	s / e / l (mm)	45 / 160 / 1000	45 / 160 / 1000	45 / 160 / 1150	45 / 160 / 1150	45 / 160 / 1220
4.25	Outside width over forks (minimum / maximum)	b5 (mm)	550	680	550	680	680
4.32	Ground clearance at centre of wheelbase (forks lowered)	m2 (mm)	35	35	35	35	35
4.33	Working aisle width (Ast3) with 1000 x 1200 pallets, load crosswise	Ast3 (mm)	1700	1700	1850	1850	1920
4.34	Working aisle width (Ast3) with 800 x 1200 pallets, load lengthwise	Ast3 (mm)	1900	1900	1900	1900	1920
4.35	Turning circle radius	Wa (mm)	1302	1302	1452	1452	1522
Performance							
5.1	Travel speed, with / without load	km / h	4 / 4.5	4 / 4.5	4 / 4.5	4 / 4.5	4 / 4.5
5.2	Lifting speed, with / without load	mm / s	20 / 25	20 / 25	20 / 25	20 / 25	20 / 25
5.3	Lowering speed, with / without load		manual control	manual control	manual control	manual control	manual control
5.8	Maximum gradeability, with / without load	%	3/8	3/8	3 / 8	3 / 8	3 / 8
Electric motors							
6.1	Rated power of lifting motor (Drive motor capacity [60 min. short duty])	kW	0.8	0.8	0.8	0.8	0.8
6.2	Rated power of travel motor (Lift motor output at 15% duty factor)	kW	0.6	0.6	0.6	0.6	0.6
6.4	Battery voltage / capacity	V/Ah	48 / 20	48 / 20	48 / 20	48 / 20	48 / 20
6.5	Battery weight	kg	8	8	8	8	8
Miscellaneous							
10.7	Sound level at the driver's ear according to DIN12053	dB(A)	70	70	70	70	70



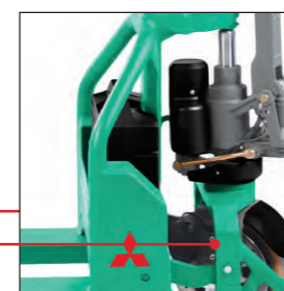
Ast3 = Wa + length of pallet -x + 2*100



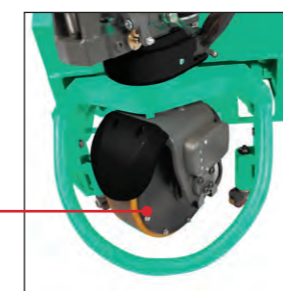
Multi-function ergonomic handle with step-less speed control



48V/20Ah high capacity lithium-ion battery



Maintenance-free brushless (AC) wheel hub motor



Regenerative brake system with electromagnetic disc brake





Easy exchangeable maintenance-free 48V Lithium-Ion battery



Easy pallet entry and exit



Effortless electrical lift and drive

Forks

- **Tapered fork tips and tandem PU rollers with fork tip rollers** for easy pallet entry and exit.

Brakes

- **Regenerative Brake System with electromagnetic (parking) disk brake,** improves the braking performance and working life of the electromagnetic brake.
- **Parking brake** automatically stops on gradients and ramps.
- **Kinetic energy from the regenerative brake system** charges the battery.

Electrical and control systems

- **48V/20Ah high capacity Lithium-Ion battery** lasts longer and is more powerful.
- **Li-Ion battery with no leaking hazardous battery gases and acids** does not require watering and provides maintenance-free operation.
- **External charger** makes it possible to charge the battery onboard.
- **External charging dock** allows charging an extra battery while using the truck with only 3.5 hours charging time.

Operator environment and controls

- **Ergonomic spring-loaded steering handle** with comfort grip for reduced operator fatigue.
- **Long tiller with large ergonomic handgrip and integrated battery status indicator** provide a comfortable hold and strain-free operation.
- **Side castors** improve stability.

Other features

- **Easy maintenance** with no expensive handheld required, only a laptop, software and a cable.
- **Polyurethane wheels and rollers** for smooth and quiet running and additional grip.



when **reliability** is **everything...**

Like any product bearing the Mitsubishi name, our materials handling equipment benefits from the huge resources and cutting-edge technology of one of the world's largest corporations. So when we promise you **quality, reliability** and **value for money**, you know it's a guarantee we have the power to deliver.

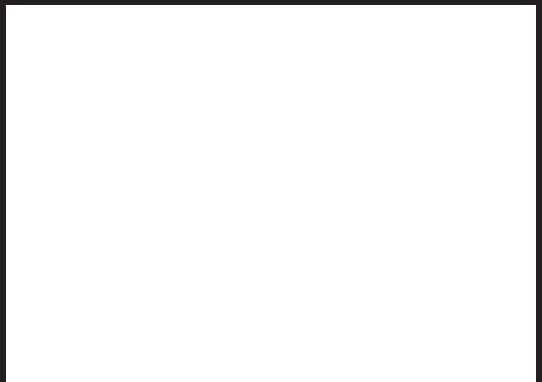
Every model in our comprehensive, award-winning range of forklift trucks and warehouse equipment is built to a high specification and is designed to keep on working for you... day after day... year after year... whatever the job... whatever the conditions.

To ensure your truck stays in constant productive action, we have a network of local dealers – hand-picked for their commitment to customer care... and backed up by the Mitsubishi Forklift Trucks organisation. No matter where you are, we have a dealer close by – ready and willing to meet your needs.

That friendly local service covers everything from identifying the perfect model and configuration for your application to providing competitive, flexible finance and maintenance packages, unbeatable warranties, long and short term hire, and highly responsive field service and repairs... as well as the industry's quickest and most reliable parts supply.

Only Mitsubishi can give you this combination of global engineering excellence and outstanding local support... only Mitsubishi offers you such a quality product at such an affordable price... and only Mitsubishi places reliability as high as you do in its priorities. Contact your local dealer now and see what Mitsubishi can do for you.

You can find your nearest dealer at www.mitforklift.com



WEGM1887 (03/18)
© 2018 MCFE

mitforklift@mcf.nl www.mitforklift.com

NOTE: Performance specifications may vary depending on standard manufacturing tolerances, vehicle condition, types of tyres, floor or surface conditions, applications or operating environment. Trucks may be shown with non-standard options. Specific performance requirements and locally available configurations should be discussed with your distributor of Mitsubishi forklift trucks. Mitsubishi follows a policy of continual product improvement. For this reason, some materials, options and specifications could change without notice.